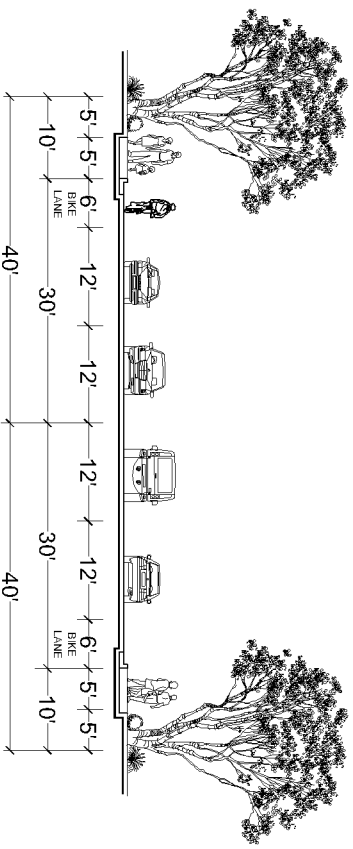
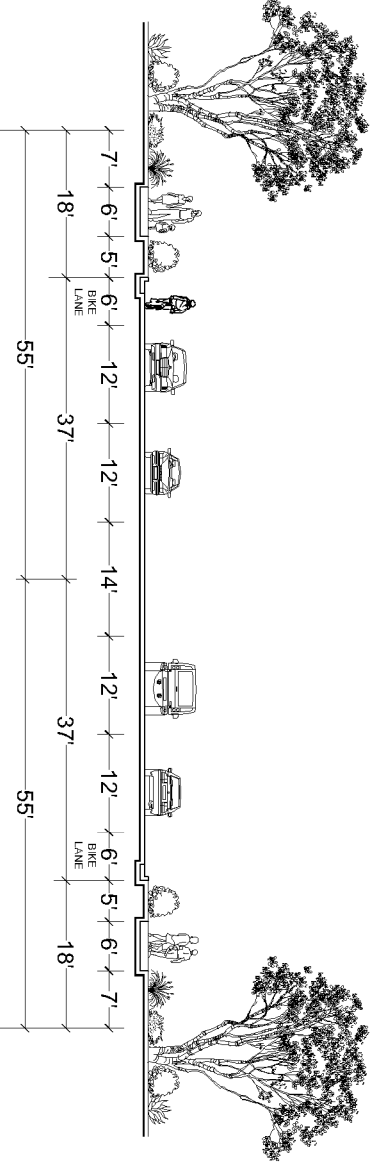


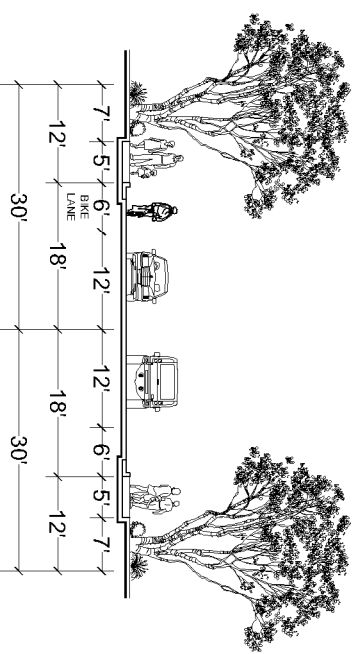
MAJOR ARTERIAL



MAJOR COLLECTOR



MINOR ARTERIAL



MINOR COLLECTOR

CASAGRANDE MOUNTAIN RANCH

CASAGRANDE, AZ

EXHIBIT R
STREET CROSS SECTIONS

PREPARED FOR: GEORGE CHASSE
DATE: 2-14-07 MINOR GENERAL PLAN AMENDMENT APPROVED 2-18-14



GILMORE
PLANNING & LANDSCAPE ARCHITECTS
22 N. 7th Street
Phoenix, AZ 85004
www.gilmore.com